

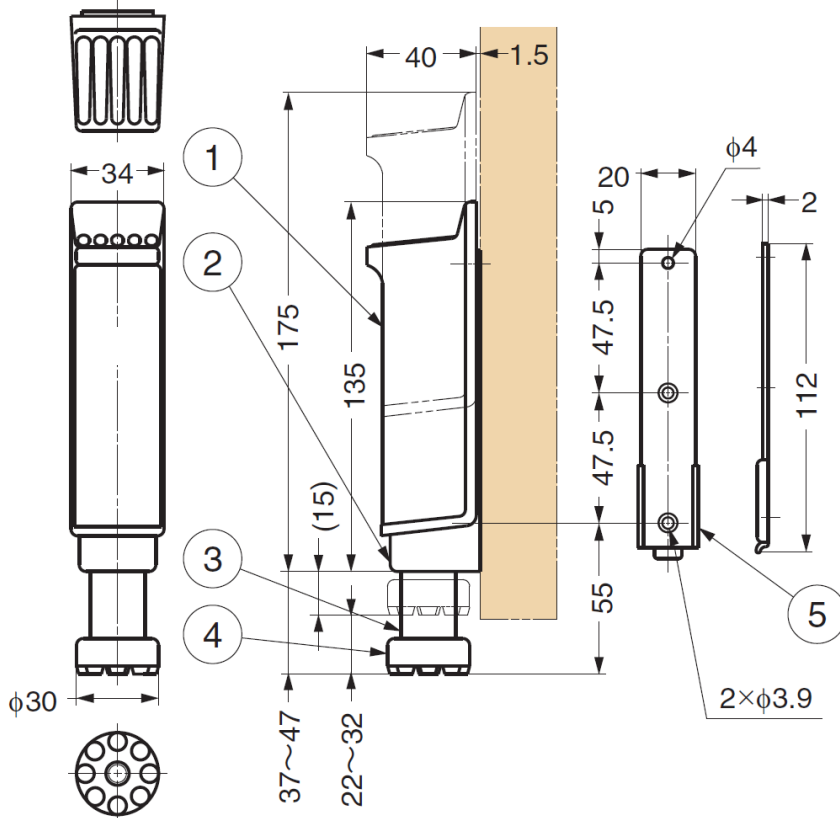
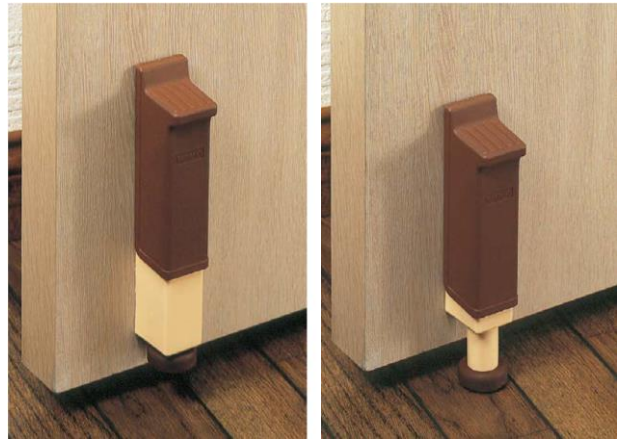
## GDJ-175 Step-On Door Holder

### Features

- Holds door at any position
- Easy to operate, simply step on the top to hold or release the door
- Cover keeps out dust
- Easy installation - can be installed with snap-on

### Parts Included

- Binding head tapping screw 3.5×16 (1 pc)
- Countersunk head tapping screw 3.5×16 (2 pcs)



No.	Part Name	Material	Finish/Colour
①	Step	Polyamide (PA)	Brown
②	Body	Polyacetal (POM)	Ivory
③	Shaft	Polyacetal (POM)	Ivory
④	Glide	Rubber	Brown
⑤	Mounting Plate	Steel	Yellow Zinc Chromate

<b>Part No.</b>
<b>GDJ-175</b>